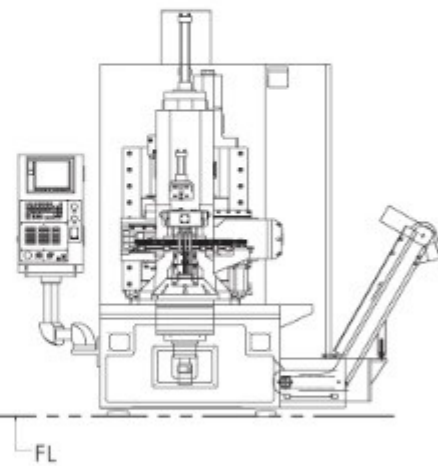
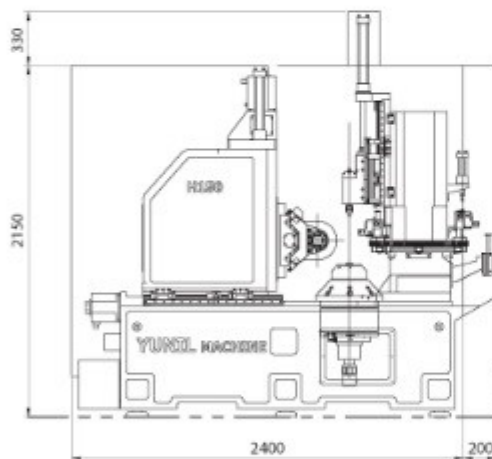
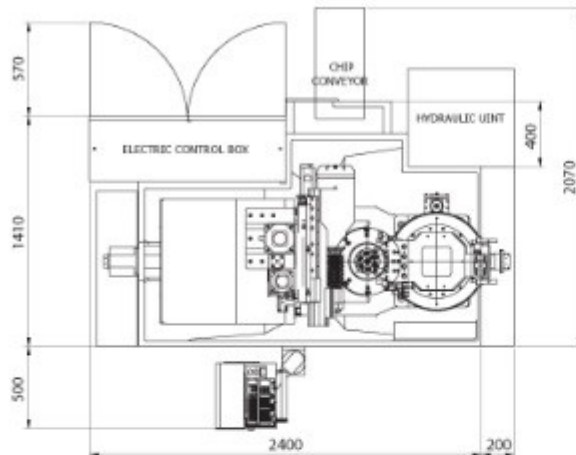


Layout Dimension & Working Range



Range	HERA 150
X-AXIS STROKE	ST180 : 15 ~ 195
Y-AXIS STROKE	ST180 : 0 ~ 180
Z-AXIS STROKE	ST250 : 150 ~ 400
CENTER STROKE	ST300 : 300 ~ 600