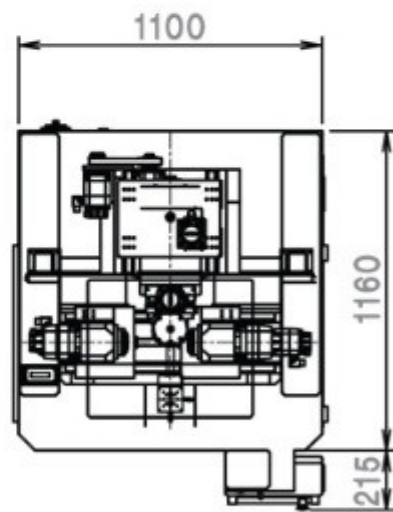
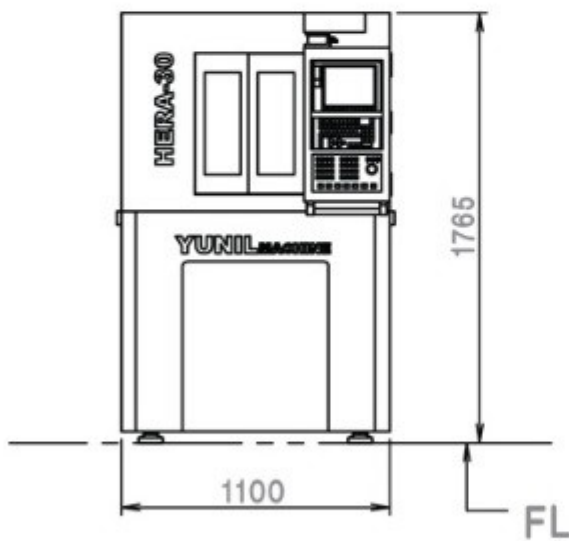
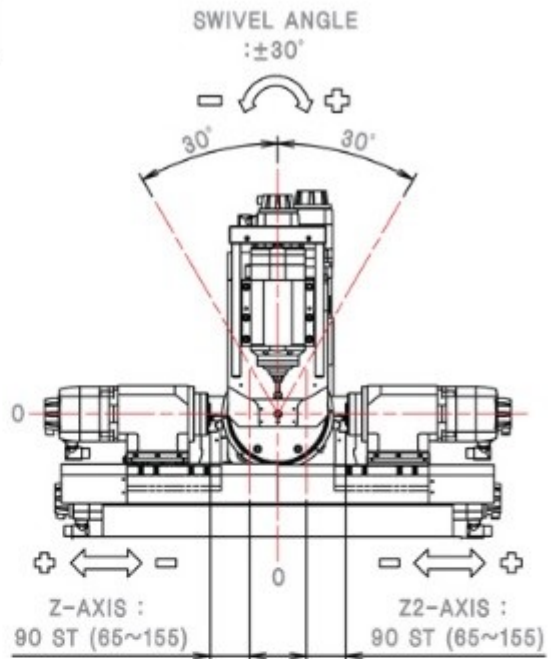
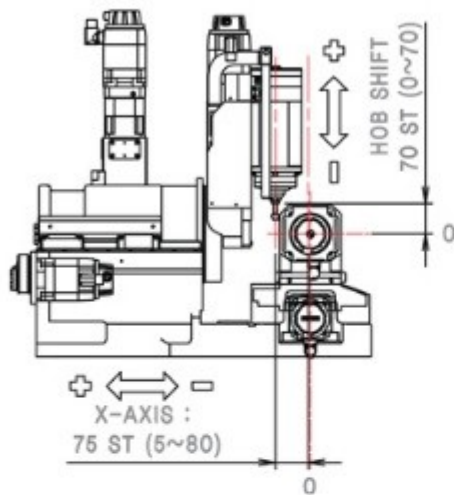


Layout Dimension & Working Range



Description			
X-AXIS STROKE	75(5~80)mm	Z2-AXIS STROKE	90(65~155)mm
Y-AXIS STROKE	70mm	SWIVEL ANGLE	$\pm 30^\circ$
Z-AXIS STROKE	90(65~155)mm		